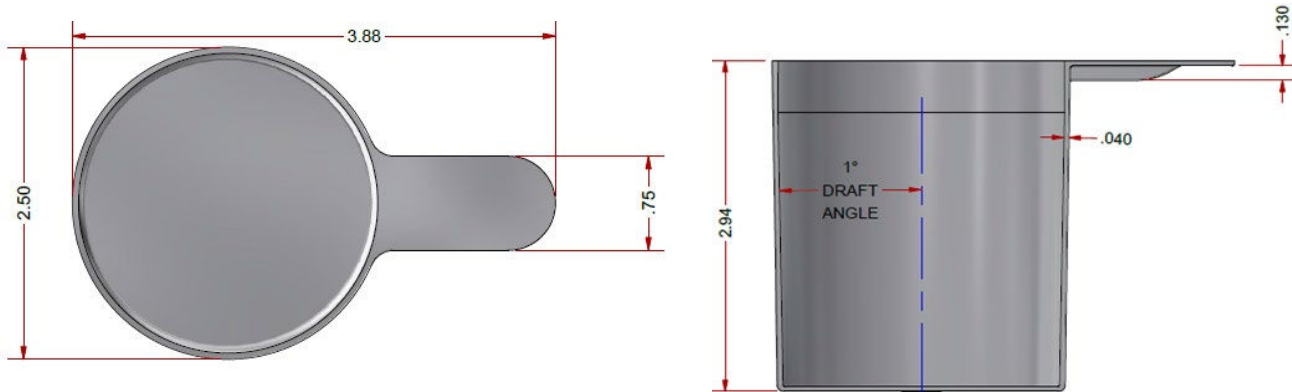




Product lines of...

**Scoop Specification For 207.0D3.9 DR**

This polypropylene material is FDA compliant and is free of heavy metals, CFC's and BPA. This product does not contain chemical substances proposed to be very high concern above .1% threshold. This product complies with EU food contact legislation including EU No10/2011 as amended, when used in food packaging applications.



PRODUCT ID	207.0D3.9 DR
CARTON QUANTITY	160
CARTON WEIGHT	8
ALL CARTON DIMENSIONS	20x16x15
CARTONS/PALLET	30 ctns. Skid Dims. 48x40x82.5

PLANT LOCATIONS—

**Measurex**  
 2860 Bath Pike  
 Nazareth, PA. 18064  
 (610) 759-0280

**National Measures**  
 7920 West 215th St.  
 Lakeville, MN. 55044  
 (952) 469-4977

[www.measurexscoops.com](http://www.measurexscoops.com)

[www.nationalmeasures.com](http://www.nationalmeasures.com)