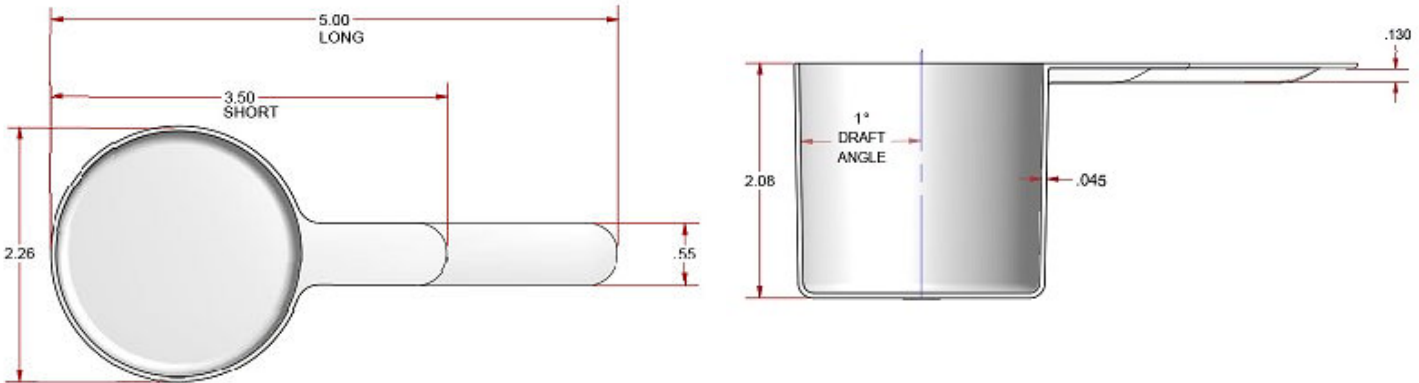




### 118.4 cc SCOOP SPECIFICATION

This polypropylene material is FDA compliant and is free of heavy metals, CFC's and BPA. This product does not contain chemical substances proposed to be very high concern above .1% threshold. This product complies with EU food contact legislation including EU No10/2011 as amended, when used in food packaging applications.



Note : Images on page are not to scale

<b>2 overall Lengths</b>	<b>3.5"</b>	<b>5.0"</b>
<b>PRODUCT ID</b>	118.4D3.5	118.4D5.0
<b>CARTON QUANTITY</b>	300	250 pcs
<b>CARTON WEIGHT</b>	11#	10#
<b>All CARTON DIMENSIONS</b>	19 5/8" x 15 5/8" x 15 3/4 "	
<b>CARTONS/PALLET</b>	30 ctns. Skid dims. – 48" x 41" x 82.5"	

**PLANT LOCATIONS—**

**Measurex**  
 2860 Bath Pike  
 Nazareth, PA. 18064  
 (610) 759-0280

**National Measures**  
 7920 West 215th St.  
 Lakeville, MN. 55044  
 (952) 469-4977

[www.measurexscoops.com](http://www.measurexscoops.com)

[www.nationalmeasures.com](http://www.nationalmeasures.com)